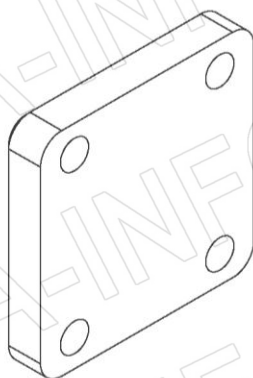
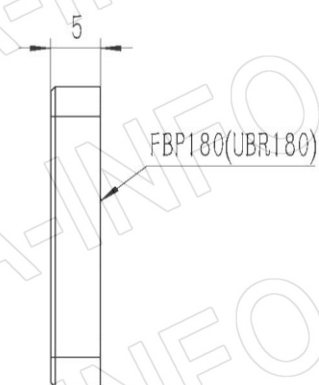
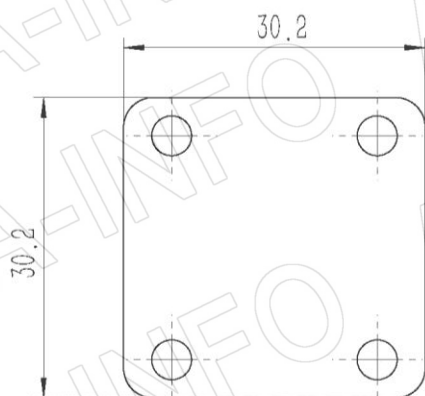


## Technical Specification

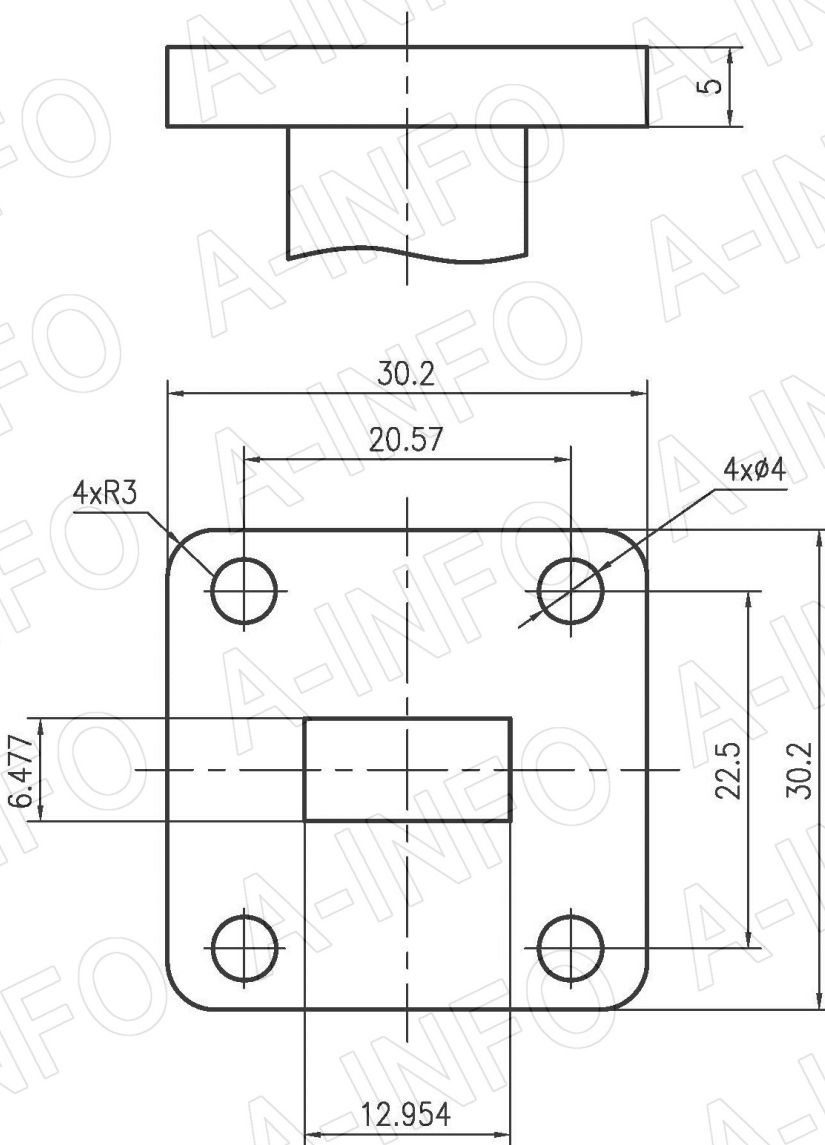


EIA WR	WR51
Freq. Range(GHz)	15.0 – 22.0
Thichness(mm)	5
Flange	FBP180(UBR180)
Material	Cu
Size(mm)	5 x 30.2 x 30.2
Net Weight(Kg)	0.03 Around

## Outline Drawing (Size: mm)



## Flange Drawing (Size: mm)



### FBP180

AINFO Inc.

Page 2 of 2

China(Beijing): Tel: (+86) 10-6266-7326,  
China(Chengdu): Tel: (+86) 28-8519-2786,  
USA: Tel: (+1) 949-639-9688,

(+86) 10-6266-7327 Fax: (+86) 10-6266-7379  
(+86) 28-8519-3044 Fax: (+86) 28-8519-3068  
(+1) 949-639-9608 Fax: (+1) 949-639-9670

Website: [www.ainfoinc.com](http://www.ainfoinc.com)  
Email: [sales@ainfoinc.com](mailto:sales@ainfoinc.com)